

# DV-814T/DV-811R

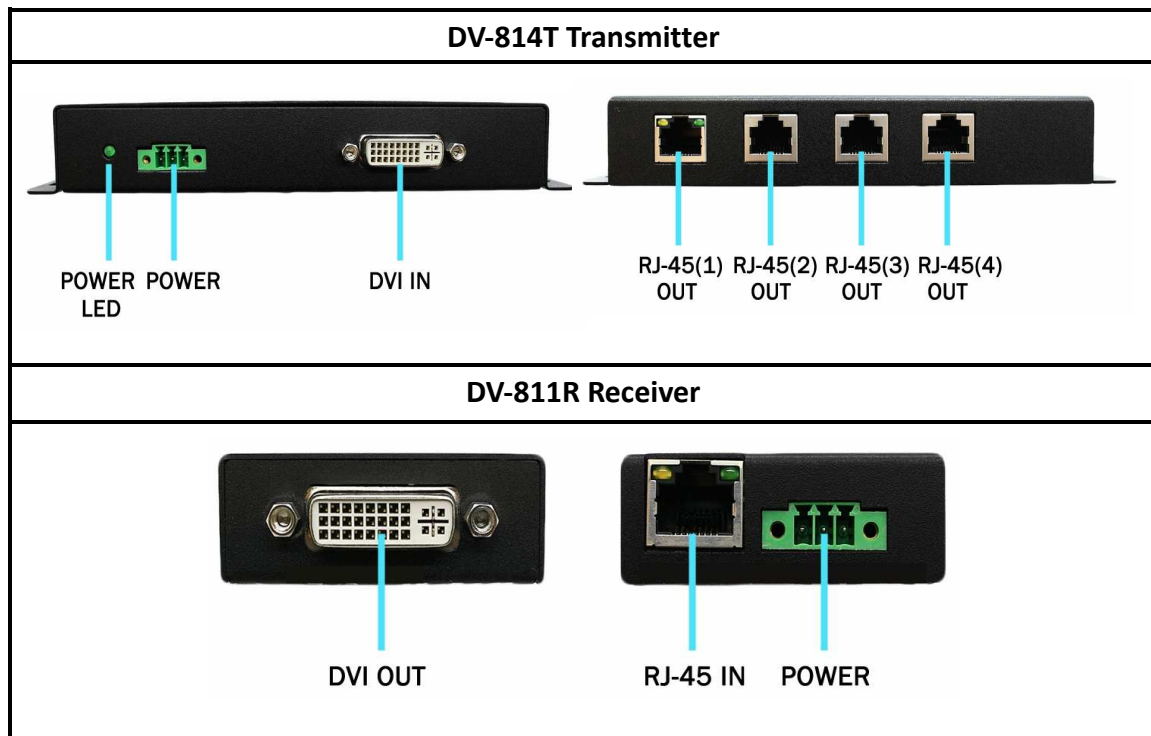
## DVI over Cat6 extender

The DV-814T is a 4-port DVI over Cat6 Transmitter that can link to 4 x DV-811R Receivers for sending one DVI-D source to 4 displays at the same time. The products have been passed EN 50498:2010 and ISO 7637-2:2004 of European Bus Transportation certification for industrial and noisy environment operation.



## Features

- ❖ Extend one DVI-D source to 4 displays.
- ❖ Auto-Equalize and quantize the DVI-D signals over single CAT6 cable for zero signal loss.
- ❖ Supports HDCP pass through.
- ❖ Supports PC resolutions up to 1920 x 1200, or Full HD 1080p.
- ❖ Designed for industrial and noisy environment operation.
- ❖ Easy install, without any software or driver installation.
- ❖ Metal case with mounting holes.

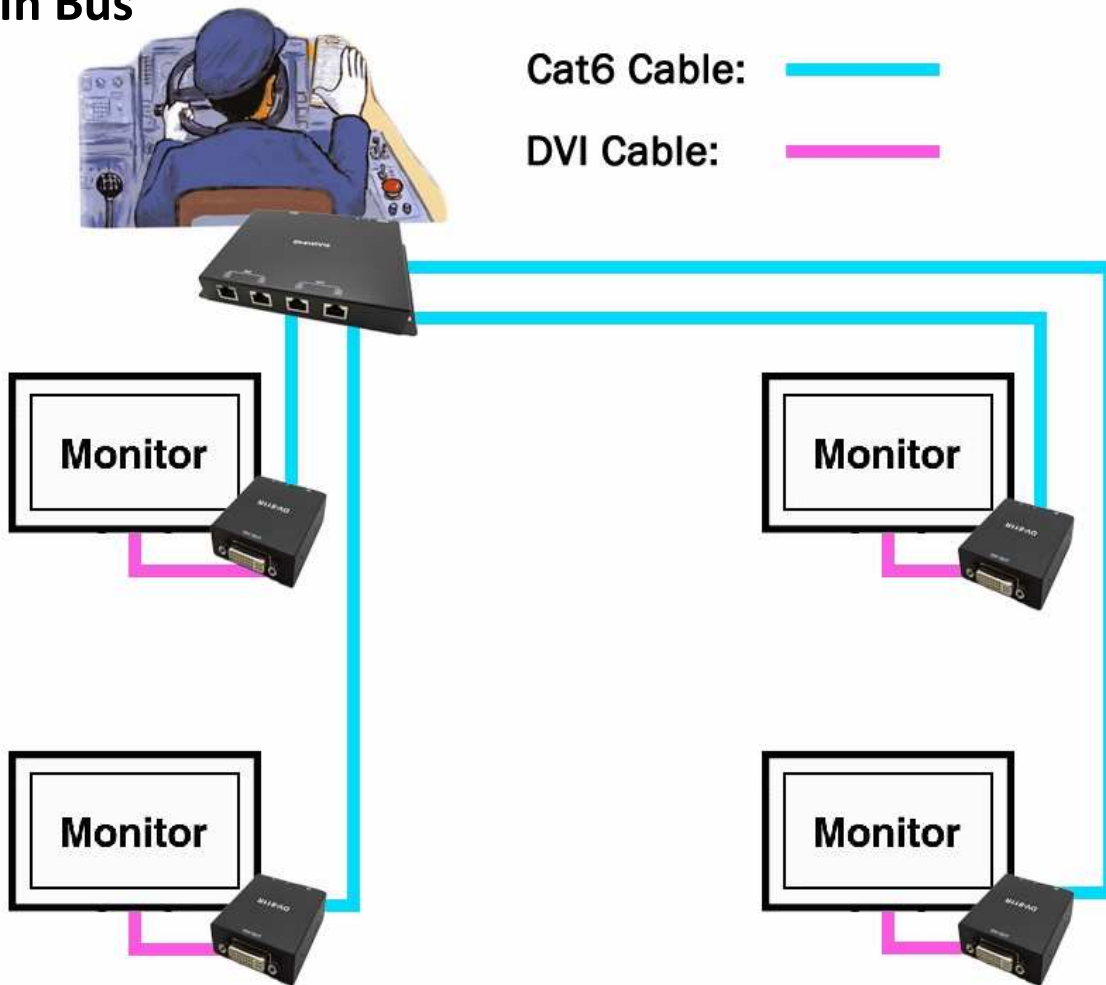


## Specification

Model		DV-814T Transmitter	DV-811R Receiver
System Cable		CAT6, 23 AWG, Solid Wire 4 pairs, TIA568B RJ-45	
Connectors	DVI IN	1	N/A
	DVI OUT	N/A	1
	Power	External DC 12V IN	
	Unit to Unit	4 x RJ45 Out	1 x RJ45 In
LED	Power	1 (Green)	N/A
Signals		DVI with HDCP support	
Video supports		Up to WUXGA 1920 x 1200, HD 1080p	
Distance		HDTV (1920 x 1200): 40M (131 ft.)	
Certification		EN 50498:2010 12 VDC, ISO 7637-2:2004 (European Bus Transportation Certification EN 55025:2008)	
Power Consumption		DC 12V 1A	DC 12V 0.5A
Environment	Operating Temp.	0~70°C	
	Storage Temp.	-20~85°C	
	Humidity	0~80% RH,NC	
Physical Properties	Housing	Metal (Black)	
	Weight	563g	110g
	Dimensions	15.3 x 11.1 x 2.5 cm	6.3 x 5.5 x 2 cm

# Diagram

## In Bus



## Ordering Information

DV-814T Transmitter	4-port DVI over CAT6 Transmitter (1 DVI In, 4 RJ45 Out), include power adapter and DVI cable
DV-811R Receiver	Active DVI over CAT6 Receiver (1 x RJ45 In, 1 x DVI Out), include power adapter