

K305632-15

Single PC, Dual Access KVM Extender Kit (USB, PS2 & RS-232)

The high-end K305632-15 KVM Extender Kit enables both KVM and RS-232 Serial control over a single, easy-to-install, CAT5 UTP/FTP cable. It is perfect for any type of installation where the console needs to be in a conveniently accessible location, but the computer system to reside in a long distance place – away from dust, and harsh environmental influences.



Features

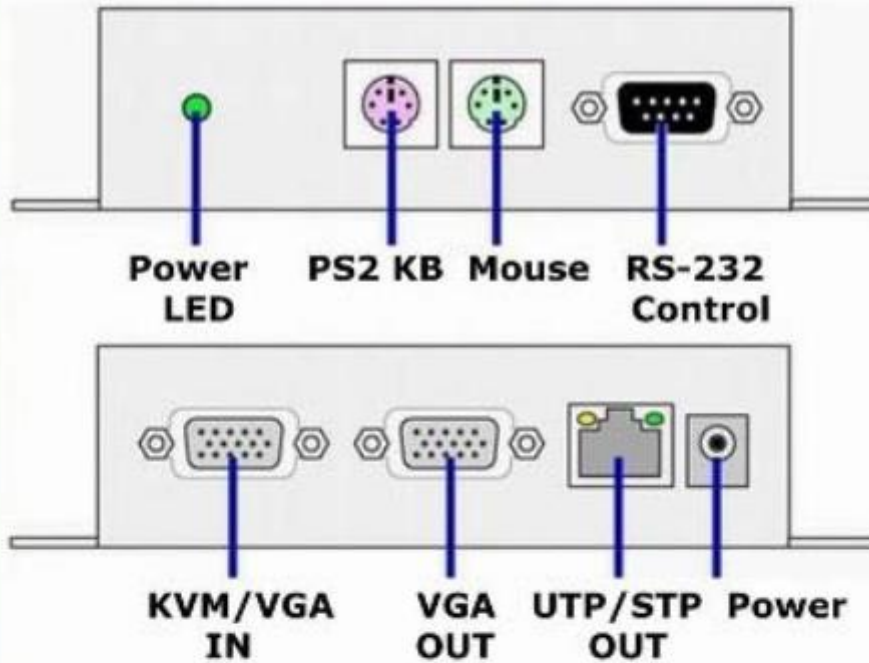
The K305632-15 CAT 5 KVM Extender Kit, which effectively extends PC KVM (USB Keyboard, Video, USB Mouse) control to the Console Receiver. This kit also provides for convenient dual access; in addition to the remote console access, you can also connect a monitor/ keyboard/ mouse set to provide local PC access. RS-232 Serial function allows you to remotely control Serial devices from distances of up to 150m/500ft.

- ❖ Cat 5 or higher cable to connect the Transmitter and Receiver Units - up to 150m (500 ft) apart.
- ❖ Dual console operation - control your PC from both the local and Console Receiver PS2 Keyboard, mouse and monitor.
- ❖ Supports full Serial, bidirectional RS-232 communication.
- ❖ High resolution video -up to 1600 x 1200 @ 60 Hz.
- ❖ Supports VGA, SVGA, and Multisync monitors - Console Receiver monitor supports DDC2B.
- ❖ Console Receiver has video Gain and EQ adjustments for optimum image.
- ❖ Pure hardware, Plug n Play design.

Specification

Kit No.		K305632-15		
Model No.		BE-6301-210 Transmitter	BE-6305-150 Receiver	
Connectors	C o n s o l e	Keyboard	1 x 6-pin Mini-DIN Female (Purple PS2)	1 x 6-pin Mini-DIN Female (Purple PS2) 1 x USB Type A Female
		Video	1 x HDD-15 Female(Blue)	
		Mouse	1 x 6-pin Mini-DIN Female (Green PS2)	1 x 6-pin Mini-DIN Female (Green PS2) 1 x USB Type A Female
	KVM Ports		1 x HDD-15 (Female)	N/A
	Power		1 x DC Jack	
	Unit to Unit		1 x RJ45 Female	
	Video Gain		N/A	1 x Mini Pot
	Video EQ		N/A	1 x Mini Pot
	LEDs Power		1 (Green)	
Emulation Keyboard / Mouse		PS/2 & USB		
Video		1600 x 1200@ 60Hz , DDC2B		
Distance		150M (500 ft)		
Power Consumption		External 100~240V AC input; DC 5.0V 1.2A Output		
Environment	Operating Temp.	0 ~ 50°C		
	Storage Temp.	-20 ~ 60°C		
	Humidity	0 ~ 80% RH		
Physical Properties	Housing	Metal		
	Weight	380 g		
	Dimensions	14 (L) x 9.3 (W) x 3.2 (H) cm		

BE-6301-210 Transmitter



BE-6305-xxx Console Receiver

